

SONY

FS5 II

PXW-FS5M2
/PXW-FS5M2K

New look for unbounded creativity



Stunning new Super 35 look

FS5 II's all-new default look is specifically tuned to meet the requirements of today's content creators with rich mid-range colours, alluring facial tones and a softer tonal look tuned with the same expertise as Sony's world-leading VENICE digital cinematography camera. Straight out of the camera your content will look fresh and vivid, with subjects that really stand out, while still retaining plenty of latitude for post production refinement due to the high performance Super 35 Exmor™ sensor.



High Frame Rate (HFR) recording

FS5 II delivers stunning slow motion imagery, including four seconds of 120fps in 4K, continuous 240fps in 2K RAW when used in partnership with a compatible third-party external recorder.

FS5 II also offers High Frame Rate (HFR) cache recording at Full HD 10bit 4:2:2 image quality and a frame rate of up to 240 fps (8 second cache recording) and continuous 120fps internal recording in Full HD.

Resolution	Frame rate	Internal/output	Continuous / Burst
4K (4096x2160)	60* / 50	Output FS RAW	Continuous
	120 / 100	Output FS RAW	Burst four seconds
2K (2048x1080)	240 / 200 / 120 / 100	Output FS RAW	Continuous
	120 / 100	Internal recording XAVC HD 422 10bit	Continuous, or burst sixteen seconds
Full HD (1920x1080)	240 / 200	Internal recording XAVC HD 422 10bit	Burst eight seconds

* 59.94

Spectacular HDR performance

Demand for HDR content is increasing and FS5 II offers you a choice of two powerful workflows. A phenomenal fourteen stops of exposure latitude ensures the highest fidelity in capturing highlights and details within shadows.

- Instant HDR Workflow is all about speed. Shoot, edit and view content in Hybrid Log-Gamma (HLG) to deliver content quickly without compromising on imaging expression and quality of content.

- S-Log2/3 is the proven choice for premium applications where you wish to capture as much data as possible for the ultimate flexibility in grading.

4K Super 35 Exmor™ sensor

4K resolution: 11.6 million total pixels and 8.8 million* effective pixels deliver 4K resolution.

Super 35 size sensor offers 'bokeh,' the defocused backgrounds made possible by shallow depth of field, as well as excellent low-light sensitivity.

14 stops of exposure latitude deliver powerful grayscale rendition without crushing shadow detail or blowing out highlight detail.

Record 10bit 4:2:2 in Full HD at up to 50Mbps internally.

Record 4K at 60/50 fps** in FS-RAW via a compatible third-party external recorder.

* RAW output **59.94.

α mount flexibility

Sony's α mount system offers unsurpassed compatibility with both Sony and third-party lenses. FS5 II's E-Mount can take cinema lenses and SLR lenses with a third-party adaptor, as well as Sony's E-mount and A-mount lenses.

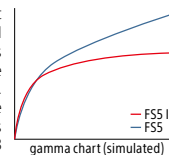
You can also purchase FS5 II on its own (PXW-FS5M2) or with lens SELP18105G (PXW-FS5M2K).

Built-in electronic Variable ND Filters

FS5 II features Sony's unique built-in electronic variable Neutral Density (ND) filter that can be controlled from 1/4ND to 1/128ND linearly. ND Filters can also be set to auto.

Creative Picture Profiles

FS5 II features an all-new default look with beautiful highlights and subtle, well rendered facial tones for more emotive visuals where your subjects naturally stand out. There's also an additional nine Picture Profiles, including ones customised for S-Log2, S-Log3 and a profile specifically tuned to provide vibrant, high contrast visuals for creators who desire a DSLR-style look.



Clear Image Zoom

Once you've zoomed in at maximum optical magnification, Pixel Super Resolution technology can enlarge the image by additional 200% in Full HD. It is also compatible with fixed focal length lenses, so you can zoom into a scene while using a prime lens.

Lightweight, modular and robust

Despite its amazingly light 0.8kg body, FS5 II is more than tough enough for the rigours of real-world shooting. A magnesium chassis ensures high rigidity with ¼-inch screw holes on handle, top and bottom of the body to support mounting on a drone, gimbal or in an underwater housing. A detachable Smart Grip puts all of the FS5 II's key functions at your fingertips and is easily adjusted with the press of a single button.

Versatile monitoring

However you want to shoot, the FS5 II adapts to fit your style. A high resolution 0.39-inch OLED viewfinder enables precise manual focus and is perfectly offset for right-eye or left-eye viewing. A 3.5-inch LCD screen can be attached in no less than nine different locations: three on top of the handle and another six on top of the body.

Networked for high mobility

Live stream from any event thanks to a choice of Wi-Fi or built-in wired LAN.

Control FS5 II from your smartphone or tablet.

Built-in NFC supports one-touch authentication possible with appropriate devices.

Be first with breaking news thanks to a built-in wired LAN jack for high-speed FTP transfer of full resolution content.

GPS function automatically records GPS data.

Dual SD card slots with independent record control

Multi-interface (MI) Shoe

Dual XLR inputs

α Mount System

Exmor™
CMOS Sensor



XDCAM

XAVC



Specifications

PXW-F55M2	
General	
Mass	Approx. 830g (Body only) Approx. 11b 13.2 oz (Body only) Approx. 2.2kg (with SELP18105G and lens hood[optional], battery pack BP-U30, large eyecup, lcd panel, handle, grip w/o gripbelt) Approx. 4lb 14.5 oz (with SELP18105G and lens hood[optional], battery pack BP-U30, large eyecup, lcd panel, handle, grip w/o gripbelt)
Dimensions (W x H x D)[(F.WI0001)]	Approx. 111.3 x 128.7 x 172.4 mm (Body only including the projecting parts) Approx. 185.2 x 218.3 x 369.5 mm (with SELP18105G and lens hood[optional], large eyecup, lcd panel, handle, grip w/o grip belt and including the projecting parts) Approx. 4.1/2 x 5.1/8 x 6.7/8 inches (Body only including the projecting parts) Approx. 7.3/8 x 8.5/8 x 14.5/8 inches (with SELP18105G and lens hood[optional], large eyecup, lcd panel, handle, grip w/o grip belt and including the projecting parts)
Power Requirements	DC 14.4V (battery pack) DC 12.0V (AC adaptor)
Power Consumption	Approx. 11.8W [60i] Approx. 11.5W [50i](while recording with LCD Off, EVF On when the external device connector is not used.) Approx. 12.6W [60i] Approx. 12.3W [50i] (while recording with LCD On, EVF On when the external device connector is used.)
Operating Temperature	0°C to 40°C 32°F to 104°F
Storage Temperature	-20°C to +60°C -4°F to +140°F
Battery Operating Time	With battery pack BP-U90: approx. 6 hours, 40 minutes [60i] approx. 6 hours, 45 minutes [50i] (While recording with LCD On, EVF Off when the external device connector is not used.) With battery pack BP-U60: approx. 4 hours, 15 minutes [60i] approx. 4 hours, 20 minutes [50i] (While recording with LCD On, EVF Off when the external device connector is not used.) With battery pack BP-U60: approx. 4 hours, 15 minutes [60i] approx. 4 hours, 20 minutes [50i] (While recording with LCD On, EVF Off when the external device connector is not used.) With battery pack BP-U30: approx. 2 hours, 10 minutes [60i] approx. 2 hours, 10 minute [50i] (While recording with LCD On, EVF Off when the external device connector is not used.)
Lens	
Lens Mount	E-mount
Camera Section	
Imaging Device (Type)	*Exmor™ Super35 CMOS Sensor
Effective Picture Elements	3840 (H) x 2160 (V)(16:9) 4096 (H) x 2160 (V)(17:9, at RAW output)
Built-in Optical Filters	ND filters Off: CLEAR 1: 1/4ND 2: 1/16ND 3: 1/64ND Linear variable ND (1/4ND to 1/128ND)
Minimum Illumination	0.16Lux [60i] (IRIS F1.4, GAIN Auto, Shutter Speed 1/24) 0.18Lux [50i] (IRIS F1.4, GAIN Auto, Shutter Speed 1/25)
ISO Sensitivity	ISO2000 (S-Log2/S-Log3 Gamma)
Shutter Speed	1/8 to 1/10000 sec. (60i) 1/6 to 1/10000 sec. (50i/24p)
Slow & Quick Motion Function	[30p]:2160p: Frame rate selectable 1.2,4,8,15,30 fps [25p]:2160p: Frame rate selectable 1.2,3,6,12,25 fps [60i]:1080p: Frame rate selectable 1.2,4,8,15,30,60,120 fps [50i]:1080p: Frame rate selectable 1.2,3,6,12,25,50,100 fps

PXW-F55M2	
Super Slow Motion	[60i] Frame rate selectable 120, 240, 480, 960 fps [50i] Frame rate selectable 100, 200, 400, 800 fps
White Balance	Preset (3200K), Memory A, Memory B/ATW
Gain	0,3,6,9,12,15,18,24,27,30dB,AGC
Gamma Curve	Selectable
Input/Output	
Audio Input	XLR-type 3-pin (female) (x2), line/mic/mic +48 V selectable
Video Output	Integrated into Multi/Micro USB jack Composite 1.0Vp-p, 75Ω
Audio Output	Integrated into Multi/Micro USB jack
SDI Output	BNC type (x1), SD/HD/3G(Level-B) selectable SMPTE 259M/292M/424M/425M standards
USB	Multi/Micro USB jack (x1)
Headphone Output	Stereo mini jack (x1)
Speaker Output	Monaural
DC Input	DC jack
Remote	Stereo mini-mini jack (Ø2.5 mm)
HDMI Output	HDMI connector (Type A)
Monitoring	
Viewfinder	1.0cm(0.39 type) OLED Approx. 1.44M dots
LCD	8.8cm (3.5 type) Approx. 1.56M dots
Built-in Microphone	
Built-in Microphone	Omni-directional stereo electret condenser microphone
Media	
Type	MS/SD(U),SD(I)
Wi-Fi/NFC	
Supported format	IEEE 802.11 b/g/n
Frequency band	2.4 GHz bandwidth
Security	WEP/WPA-PSK/WPA2-PSK
NFC	NFC Forum Type 3 Tag compliant
Supplied Accessories	
Handle (1), Grip Remote (1), LCD Panel (1), Accessory shoe kit (accessory shoe (1), accessory shoe plate (1), screws (4)), USB cable (1), AC adapter/charger (1) (BC-U1A), Power cord (1), Wireless remote commander (1) (RMT-845), LCD Protector (1), CD-ROM "Manuals for Solid-State Memory Camcorder" (1), Operating Guide (2), BP-U30 battery pack (1)	

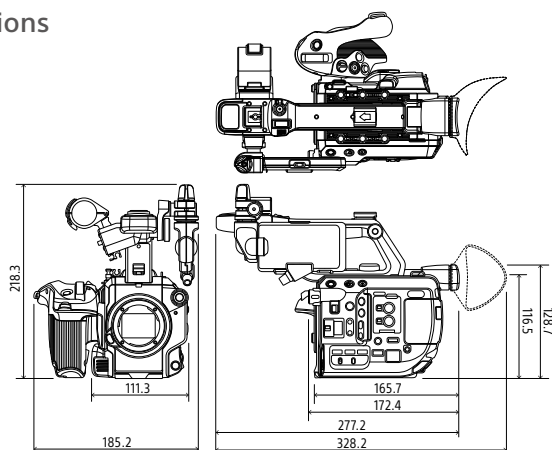
	Format	bitrate	mode	definition	recording frame rate	audio format	recording time 64G SD card
4K	XAVC Long	100Mbps	-	3840 x 2160	29.97p, 25p, 23.98p	Linear PCM 2ch, 24bit, 48kHz	Approx. 65 min
	MPEG-4 AVC/H.264	60Mbps	-		29.97p, 25p, 23.98p		Approx. 100 min
HD	XAVC Long	50Mbps	-	1920x1080	59.94p, 50p, 59.94i, 50i, 29.97p, 25p, 23.98p,	Linear PCM 2ch, 24bit, 48kHz	Approx. 120 min
		MPEG-4 AVC/H.264	35Mbps	-	1280x720		59.94p, 50p,
	AVCHD	25Mbps	-	1920x1080	59.94i, 50i,	Linear PCM 2ch, 16bit, 48kHz Dolby Digital 2ch, 16bit, 48kHz	Approx. 220 min
		28Mbps	PS	1920x1080	59.94p, 50p,		Approx. 290 min
		24Mbps	FX	1920x1080	59.94i/50i/29.97p/25p/23.98p,		Approx. 340 min
		17Mbps	FH	1280x720	59.94p, 50p,		Approx. 450 min
		9Mbps	HQ	1280x720	59.94p, 50p,		Approx. 590 min

Available Accessories

BP-U60/BP-U90 Rechargeable Lithium-ion Battery Pack	BC-U1/BC-U2 Battery Charger/AC Adaptor	UWP-D11/UWP-D12 Wireless Microphone Package	SMAD-P3 MI Shoe Mount Adaptor * required for cable-free operation with UWP-D11/UWP-D12	URX-P03D UWP-D two-channel portable receiver	SMAD-P3D MI Shoe Mount Adaptor * required for cable-free operation with URX-P03D	ECM-VG1 Electret Condenser Microphone		
CBK2-SLMP MPEG HD Upgrade License	HXR-IFR5 Memory Recorder Interface Unit	AXS-R5 Portable Memory Recorder	SDXC 128GB SDXC Memory Card	HVL-LBPC Battery Video Light	MCX-500 Multicamera Live Producer	RM-30BP Remote Commander	RM-1BP Remote Commander	VCT-SP2BP Camcorder Support

Dimensions

Unit: mm (inches)



©2018 Sony Corporation. All rights reserved.
 Reproduction in whole or in part without written permission is prohibited.
 Features and specifications are subject to change without notice.
 The values for mass and dimension are approximate.
 Sony and Sony logo are trademarks of Sony Corporation.
 XDCAM, XAVC, α Mount System and their respective logos are trademarks of Sony Corporation.
 All other trademarks are the property of their respective owners.

Distributed by